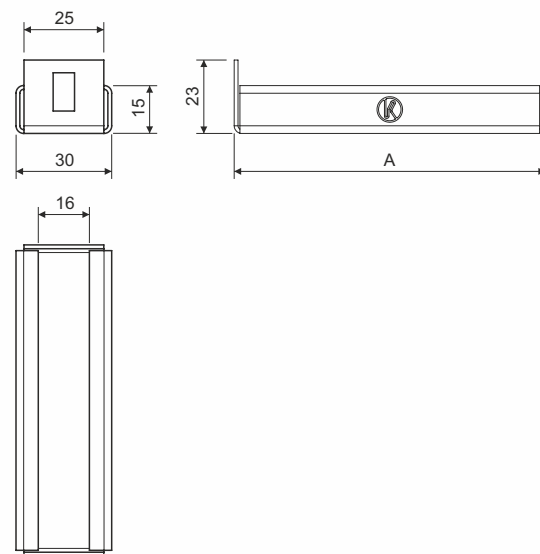


type number	A (mm)	weight (kg/ks)
<b>NPKV 50_S</b>	47,5	0,04
<b>NPKV 50_F</b>		0,04
<b>NPKV 75_S</b>	72,5	0,05
<b>NPKV 75_F</b>		0,06
<b>NPKV 100_S</b>	97,5	0,07
<b>NPKV 100_F</b>		0,08
<b>NPKV 125_S</b>	122,5	0,08
<b>NPKV 125_F</b>		0,1
<b>NPKV 150_S</b>	147,5	0,1
<b>NPKV 150_F</b>		0,11
<b>NPKV 200_S</b>	197,5	0,13
<b>NPKV 200_F</b>		0,15
<b>NPKV 250_S</b>	247,5	0,16
<b>NPKV 250_F</b>		0,19
<b>NPKV 300_S</b>	297,5	0,19
<b>NPKV 300_F</b>		0,22
<b>NPKV 400_S</b>	397,5	0,25
<b>NPKV 400_F</b>		0,29
<b>NPKV 500_S</b>	497,5	0,32
<b>NPKV 500_F</b>		0,37
<b>NPKV 600_S</b>	597,5	0,38
<b>NPKV 600_F</b>		0,44



**product description:** Supporting profile is used for mounting of cable clamps and thereby for the anchoring of the cables inside the tray.  
 It finds its use primarily in vertical routes, for the lightening of the cable tension.  
 It is installed on the bottom of the cable tray and it is fixed by using two bolts NSM 6X10 to the tray sidewalls. To protect the cables, the bolt head is inside the cable tray. A bolt with a GMT surface finish is used for a tray with an F surface finish.  
 When using a cover it is necessary to take into account the height of the clamps.

**surface finish:** S - Pre-Galvanized according to EN 10346, EN 10143, zinc-layer 15-27 µm  
 F - Hot Dip Galvanized according to ČSN EN ISO 1461, zinc-layer 45 µm (min. 35 µm)

**sales amount:** 1 pc

**storage:** ČSN EN 60721-3-1

